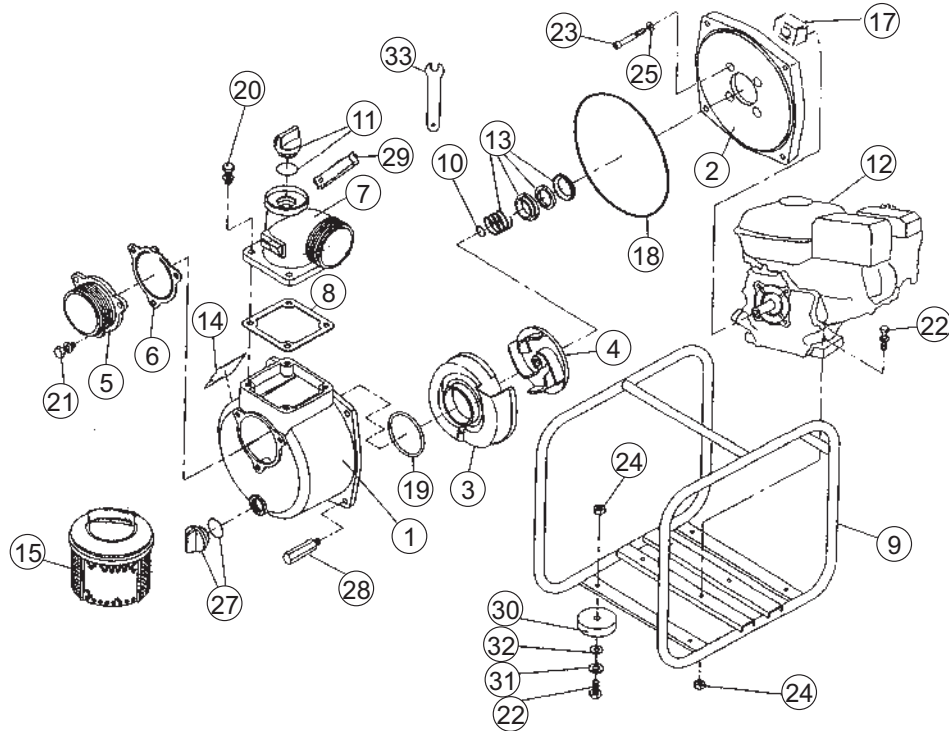
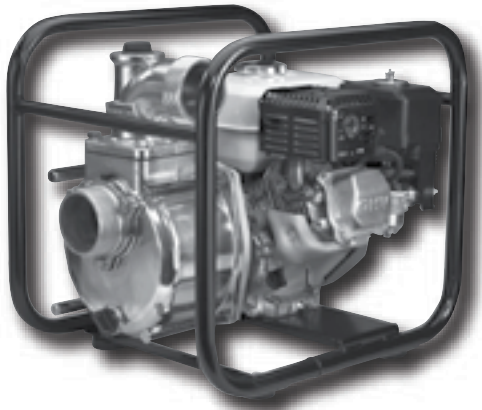


SEH-80T-BCF (SEH-80X-BCF)



3" SEMI-TRASH HONDA GX160 5.5 HP



REF NO.	PART NO.	DESCRIPTION	QTY.
1	0112795	PUMP CASING	1
2	0115269	FLANGE BRACKET	1
3	0115541	VOLUTE	1
4	0115539	IMPELLER	1
5	0112876	SUCTION FLANGE	1
6	0112799	CHECK VALVE	1
7	0111361	DELIVERY FLANGE	1
8	0110584	DELIVERY FLANGE GASKET	1
9	0117433	FRAME	1
10	0110491	ADJUSTING WASHER	3
11	0118079	25 A PLUG SET	1
12		ENGINE	1
13	0115159	MECHANICAL SEAL	1
14		NAME PLATE	1
15	0111894	STRAINER	1
17	0115540	SPACER	1
18	0115015	O-RING 1517-47	1
19	0113989	O-RING P74	1
20	743119063	HEX BOLT M10 x 30	4
21	743119061	HEX BOLT M10 x 25	3
22	743119053	HEX BOLT M8 x 40	8
23	734532076	SOCKET BOLT M8 x 60	4
24	827419008	NUT M8	8
25	854255008	SEAL WASHER M8	4
27	0118078	20 A PLUG SET	1
28	0115542	LONG BOLT M10	4
29	0115588	WRENCH HOLDER	1
30	0110515	RUBBER MOUNT	4
31	842319008	M8 NUT W/SPRING WASHER	4
32	846207008	WASHER M8	4
33	0115589	WRENCH 17MM	1